



Features

- 10.1" Touchscreen in Both Resistive and PCap Options
- Celeron J6412 Processor Passmark Rating 3839
- Windows 11 Compatibility
- IP66 Stainless Steel Housing
- Waterproof M12 I/O Connectors

Technical Specifications

General

Main Category Industrial Computer

Primary Components

Processor Family Intel Celeron Elkhart Lake
 Processor Model Celeron J6412
 Processor Speed 2.0 GHz, Up to 2.6 GHz
 Memory Type 1x DDR4 SO-DIMM
 Memory Support 4GB, 8GB, 16GB, 32GB
 Storage type 1x 2.5" SATA Drive Bay for SSD/HDD, 1x M.2 SATA3 2242 Slot
 Storage support M.2 and 2.5": 128GB - 1TB

Display

Screen Size 10.1"
 Resolution 1280 x 800 (WXGA)
 Screen Ratio 16:10
 Brightness 350 nits, Optional 1000 nit High Brightness
 Contrast Ratio 800:1
 Viewing Angle 170° (H), 170° (V)
 Number of Colors Supported 16.2M (Standard) / 16.7M (High Brightness)

Expansion Slots

Internal Mini PCIe 1x Mini-PCIe
 Internal M.2 1x M.2 Type E
 Other Optional RFID module, front side

Multimedia

Thermal and Environmental

Operating Temperature Array (32°F – 122°F; Optional -4°F – 140°F)
 Storage Temperature Array (-22°F – 158°F)
 Humidity Range 10% – 95% Non-condensing
 Cooling Solution Passive – Fanless

Touch Screen

Touch Screen Projected Capacitive (Multi-touch), Resistive

Enclosure

Material SUS304 Stainless Steel, Optional SUS316 Stainless Steel
 Ip Rating IP66, IP69K Front Bezel
 Color Stainless Steel
 Led Indicator Light Power
 Control Buttons Power Button, Touchscreen Lock for Cleaning
 Mounting Options Desktop Stand, VESA 75 Mount, Wall Mount, Yoke Mount

External I/O ports

USB 1x M12 8Pin for USB 1/2, 1x Optional M12 8Pin for USB 3/4
 Serial / Com 1x M12 8-pin for COM, 1x Optional M12 8-pin for COM 2
 Serial Protocol Detail RS-232/422/485, RS-232 default
 Ethernet / LAN 1x M12 8pin RJ45 Gbe LAN, 1x Optional M12 8pin RJ45 Gbe LAN
 Power Input Port M12 type 3-PIN DC-in

Peripherals & Wireless Connectivity

WiFi Optional Wi-Fi 6, 802.11 a/b/g/n/ac/ax
 BlueTooth Optional Bluetooth 5.3
 Sim card 1x Nano SIM Card Slot
 RFID Optional 125Khz or 13.56 Mhz
 Sensors Light Sensor

Power

Input Voltage Range 9-36V DC

Dimensions / Weight

Dimensions 300x53x220 mm (11.8 x 2.1 x 8.7 in)

Battery

Certification

Certifications CE, FCC

Operating Systems

Windows Windows 11 IoT, Windows 11 Pro, Windows 10 IoT, Windows 10 Pro

Warranty

Warranty Up to 5 Years

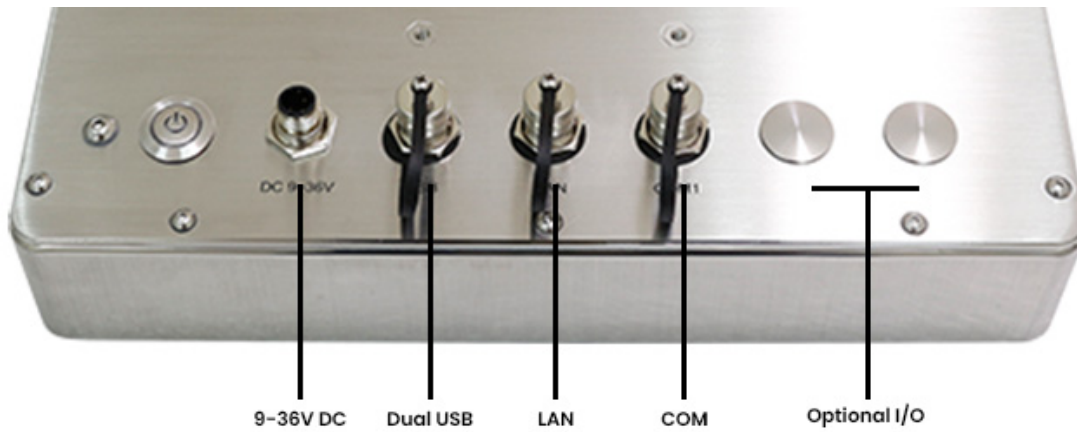
Compatibility

Security Hardware TPM 2.0

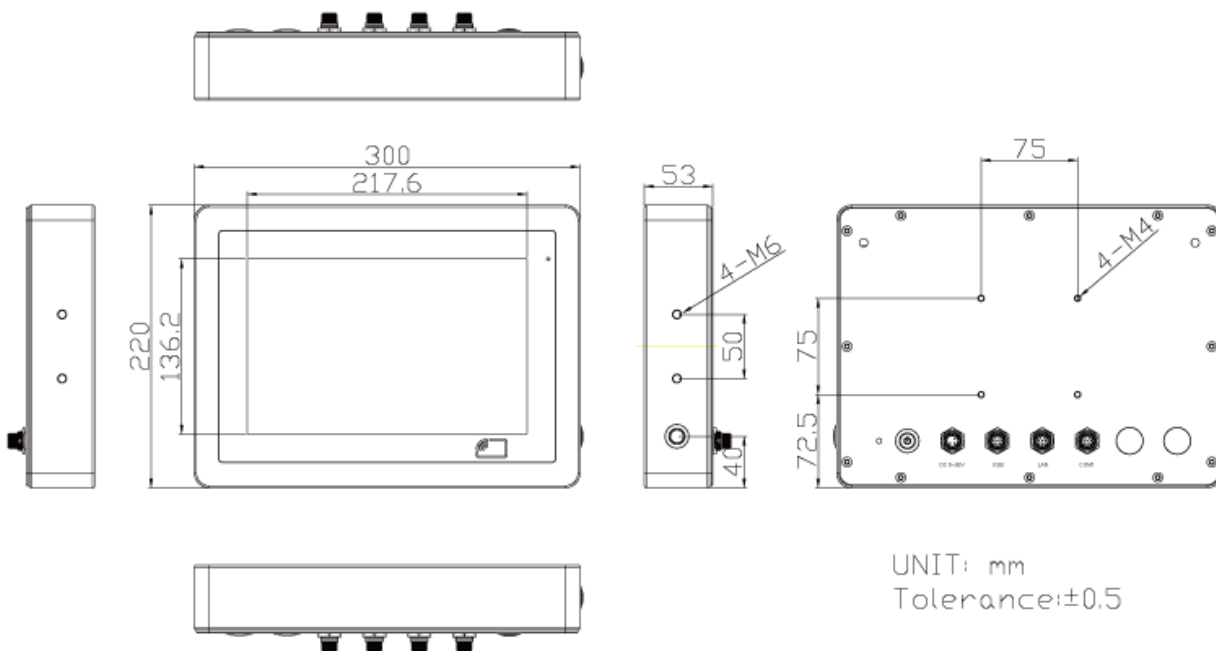
Filters

Main Category Filter Industrial Computer

Inputs / Outputs



Technical Drawings



All specifications are subject to change without notice.