



## Features

- 12.1" Touchscreen in Both Resistive and PCap Options
- Celeron J6412 Processor Passmark Rating 3839
- Windows 11 Compatibility
- IP66 Stainless Steel Housing
- Waterproof M12 I/O Connectors

## Technical Specifications

### General

Main Category Industrial Computer

### Primary Components

Processor Family Intel Celeron Elkhart Lake  
 Processor Model Celeron J6412  
 Processor Speed 2.0 GHz, Up to 2.6 GHz  
 Memory Type 1x DDR4 SO-DIMM  
 Memory Support 4GB, 8GB, 16GB, 32GB  
 Storage type 1x 2.5" SATA Drive Bay for SSD/HDD, 1x M.2 SATA3 2242 Slot  
 Storage support M.2 and 2.5": 128GB - 1TB

### Display

Screen Size 12.1"  
 Resolution 1024 x 768 (XGA)  
 Screen Ratio 4:3  
 Brightness 450 nits, Optional 1000 nit High Brightness  
 Contrast Ratio 1000:1  
 Viewing Angle 178° (H), 178° (V), 178° (H), 178° (V) High Brightness  
 Number of Colors Supported 16.2M (Standard) / 16.7M (High Brightness)

### Expansion Slots

Internal Mini PCIe 1x Mini-PCIe  
 Internal M.2 1x M.2 Type E

### Multimedia

### Thermal and Environmental

Operating Temperature Array (32°F – 122°F; Optional -4°F – 140°F)  
 Storage Temperature Array (-22°F – 158°F)  
 Humidity Range 10% – 95% Non-condensing  
 Cooling Solution Passive – Fanless

**Touch Screen**

Touch Screen	Projected Capacitive (Multi-touch), Resistive
Light Transmission	Over 80% (Resistive), Over 90% (P-Cap)
Lifetime Usage	30,000 hrs, 70,000 hrs (High Brightness)

**Enclosure**

Material	SUS304 Stainless Steel, Optional SUS316 Stainless Steel
Ip Rating	IP66, IP69K Front Bezel
Color	Stainless Steel
Led Indicator Light	Power
Control Buttons	Power Button, Touchscreen Lock for Cleaning
Mounting Options	Desktop Stand, VESA 75 Mount, Wall Mount, Yoke Mount

**External I/O ports**

USB	1x M12 8Pin for USB 1/2, 1x Optional M12 8Pin for USB 3/4
Serial / Com	1x M12 8-pin for COM, 1x Optional M12 8-pin for COM 2
Serial Protocol Detail	RS-232/422/485, RS-232 Default
Ethernet / LAN	1x M12 8pin RJ45 Gbe LAN, 1x Optional M12 8pin RJ45 Gbe LAN
Power Input Port	M12 type 3-PIN DC-in

**Peripherals & Wireless Connectivity**

WiFi	Optional Wi-Fi 6, 802.11 a/b/g/n/ac/ax
BlueTooth	Optional Bluetooth 5.3
Sim card	1x Nano SIM Card Slot
RFID	Optional 125KHz OR 13.56 MHz
Sensors	Light Sensor

**Power**

Input Voltage Range	9-36V DC
---------------------	----------

**Dimensions / Weight**

Dimensions	335x53x256 mm (13.2 x 2.1 x 10.1 in)
------------	--------------------------------------

**Battery**

**Certification**

Certifications	CE, FCC
----------------	---------

**Operating Systems**

**Warranty**

Windows	Windows 11 IoT, Windows 11 Pro, Windows 10 IoT, Windows 10 Pro
---------	----------------------------------------------------------------

Warranty	Up to 5 Years
----------	---------------

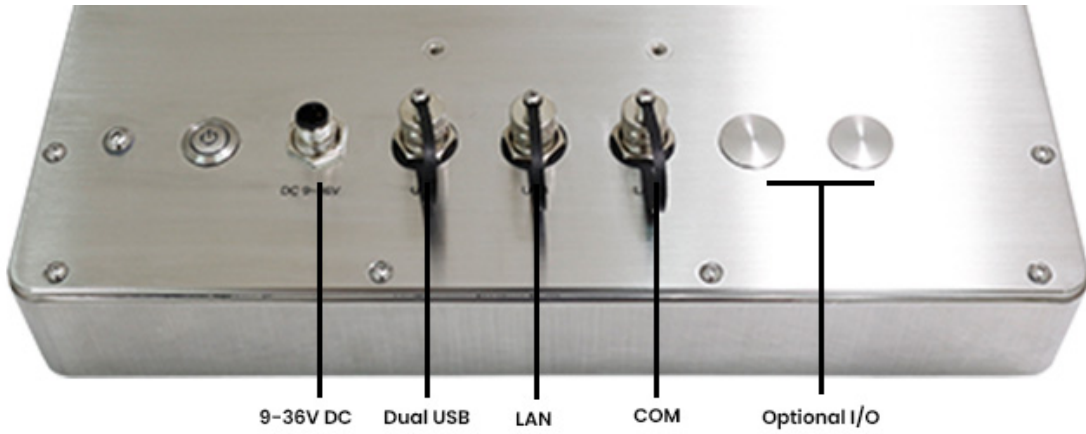
**Compatibility**

**Filters**

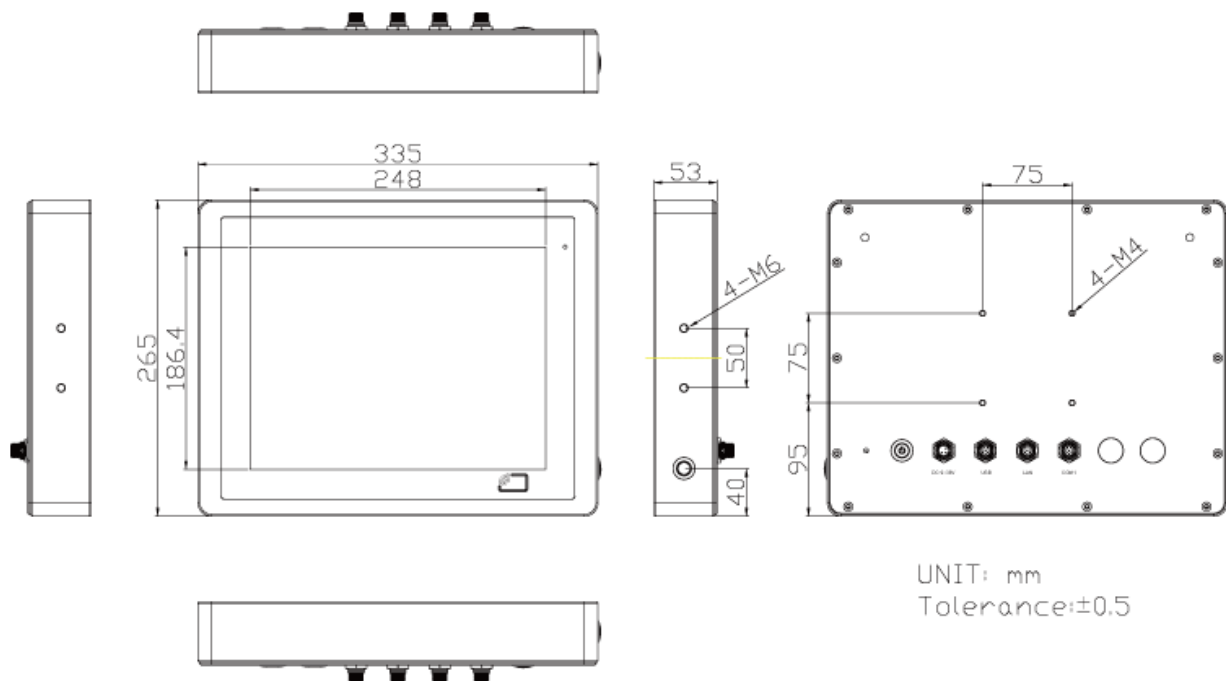
Security Hardware	TPM 2.0
-------------------	---------

Main Category Filter	Industrial Computer
----------------------	---------------------

Inputs / Outputs



Technical Drawings



All specifications are subject to change without notice.