



Features

- 17" Touchscreen in Both Resistive and PCap Options
- Celeron J6412 Processor Passmark Rating 3839
- Windows 11 Compatibility
- IP66 Stainless Steel Housing
- Waterproof M12 I/O Connectors

Technical Specifications

General

Main Category Industrial Computer

Primary Components

Processor Family Intel Celeron Elkhart Lake
 Processor Model Celeron J6412
 Processor Speed 2.0 GHz, Up to 2.6 GHz
 Memory Type 1x DDR4 SO-DIMM
 Memory Support 4GB, 8GB, 16GB, 32GB
 Storage type 1x 2.5" SATA Drive Bay for SSD/HDD, 1x M.2 SATA3 2242 Slot
 Storage support M.2 and 2.5": 128GB - 1TB

Display

Screen Size 17"
 Resolution 1280 x 1024 (SXGA)
 Screen Ratio 5:4
 Brightness 350 nits, Optional 1000 nit High Brightness
 Contrast Ratio 1000:1
 Viewing Angle 170° (H), 160° (V), 160° (H), 140° (V) High Brightness
 Number of Colors Supported 16.2M (Standard) / 16.7M (High Brightness)

Expansion Slots

Internal Mini PCIe 1x Mini-PCIe
 Internal M.2 1x M.2 2230 Key E (for WiFi expansion option)

Multimedia

Thermal and Environmental

Operating Temperature Array (32°F – 122°F; Optional -4°F – 140°F)
 Storage Temperature Array (-22°F – 158°F)
 Humidity Range 10% – 95% Non-condensing
 Cooling Solution Passive – Fanless

Touch Screen

Touch Screen	Projected Capacitive (Multi-touch), Resistive
Light Transmission	Over 80% (Resistive), Over 90% (P-Cap)
Lifetime Usage	30,000 hrs, 50,000 hrs (High Brightness)

Enclosure

Material	SUS304 Stainless Steel
Ip Rating	IP66, IP69K Front Bezel
Color	Stainless Steel
Led Indicator Light	Power
Control Buttons	Power Button, Touchscreen Lock for Cleaning
Mounting Options	Desktop Stand, VESA 75 Mount, Wall Mount, Yoke Mount

External I/O ports

USB	1x M12 8Pin for USB 1/2, 1x Optional M12 8Pin for USB 3/4
Serial / Com	1x M12 8-pin for COM, 1x Optional M12 8-pin for COM 2
Serial Protocol Detail	RS-232/422/485, RS-232 Default
Ethernet / LAN	1x M12 8pin RJ45 Gbe LAN, 1x Optional M12 8pin RJ45 Gbe LAN
Power Input Port	M12 type 3-PIN DC-in

Peripherals & Wireless Connectivity

WiFi	Optional Wi-Fi 6, 802.11 a/b/g/n/ac/ax
BlueTooth	Optional Bluetooth 5.3
Sim card	1x Nano SIM Card Slot
RFID	Optional 125KHz OR 13.56 MHz
Sensors	Light Sensor

Power

Input Voltage Range	9-36V DC
---------------------	----------

Dimensions / Weight

Dimensions	432x55x358 mm (17.0 x 2.2 x 14.1 in)
------------	--------------------------------------

Battery

Certification

Certifications	CE, FCC
----------------	---------

Operating Systems

Warranty

Windows	Windows 11 IoT, Windows 11 Pro, Windows 10 IoT, Windows 10 Pro
---------	--

Warranty	Up to 5 Years
----------	---------------

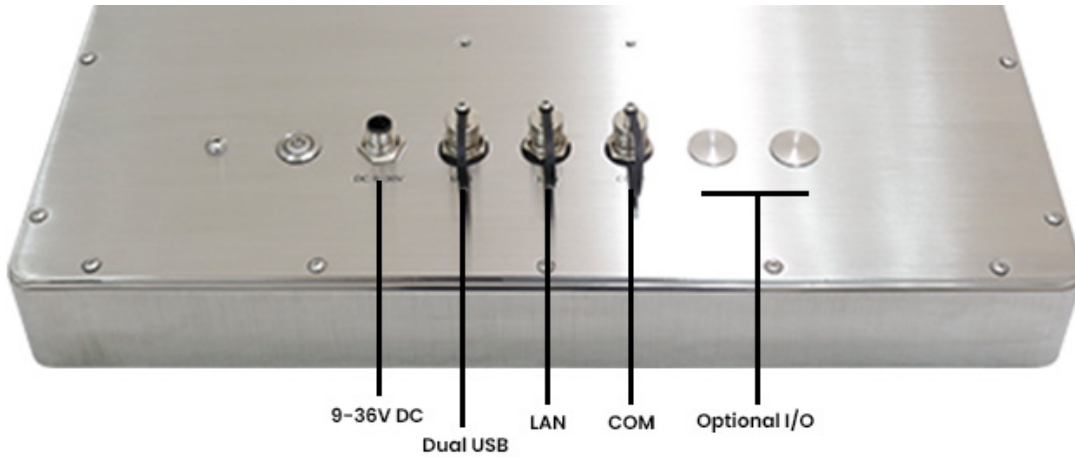
Compatibility

Filters

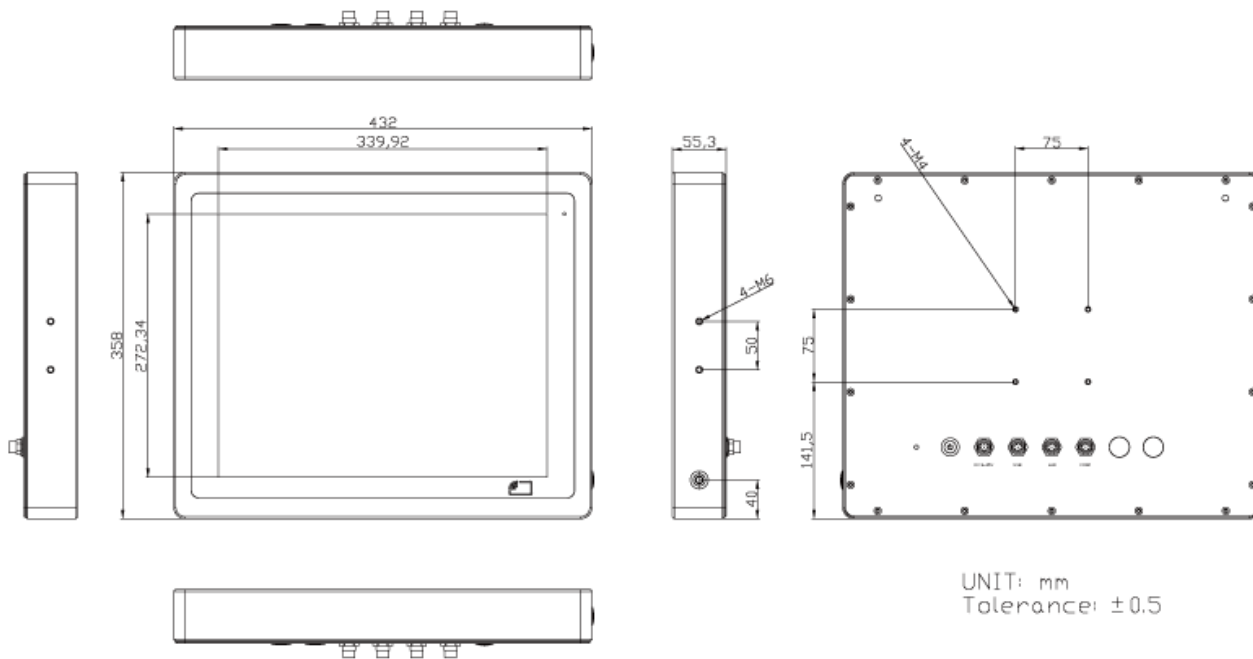
Security Hardware	TPM 2.0
-------------------	---------

Main Category Filter	Industrial Computer
----------------------	---------------------

Inputs / Outputs



Technical Drawings



All specifications are subject to change without notice.