



2.0T
Rated Load Capacity



1.4m/s
Max. Safety Driving Speed



125mm
Max. Lifting Height



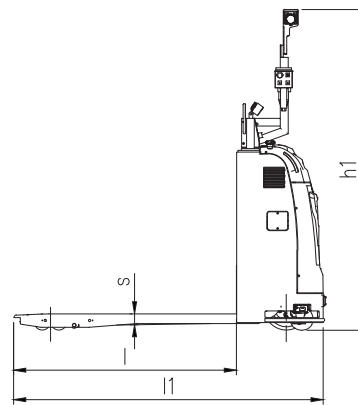
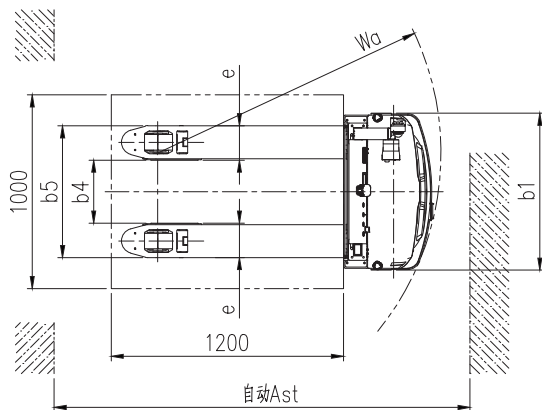
2100mm
Min. Stacking Aisle Width

VNST20(L)-04 SLIM PALLET MOVER FORKLIFT AGV

BY using 3D SLAM navigation +3D laser adaptive sensing, the project import is fast and the cross fetch repeat precision is high. The vehicle weight is light, can support cross-floor work; The length and width of the fork can be customized according to the scene, making the vehicle more flexible and adaptable.



VNST20(L)-04



TECHNICAL SPECIFICATIONS

| | | | |
|----------------------------------|--|--------------------------|--------------------------------|
| Body Weight | 430kg (947.99lb) | Max. Lifting Height | 125mm (4.92in) |
| Vehicle Dimensions (l1/b1/h1) | 1600x815x1650mm (62.99x32.05x64.96in) | Rated Load Capacity | 2000kg (4409.25lb) |
| Fork Dimensions (l/e/s) | 1150x177x56mm (45.28x6.97x2.20in) | Load Center Distance | 600mm (23.62in) |
| Fork Outer Width | 560/680mm (22.05/26.77in) | Min. Turning Radius | 1456mm (57.32in) |
| Fork Inner Width | 206/326mm (8.11/12.83in) | Stacking Accuracy | ±10mm/±0.5° (±0.39in/±0.5°) |
| Positioning Method | 3D SLAM navigation | Operation Mode | Automatic / Stand up Manual |
| Perception Method | 3D Laser scanner | Battery Type | Lithium iron phosphate battery |
| Goods Drop-off Self-adaptability | ±10mm/±0.5° (±0.39in/±0.5°) | Voltage/Battery Capacity | 48V/40Ah |
| Goods Pick-up Self-adaptability | ±100mm/±10° (±3.94in/±10°) | Charging Mode | Manual/ Automatic Charging |

MOTION PERFORMANCE

| | | | |
|---|-----------------------------------|--|-----------------------------------|
| Straight Forward Speed (Full-Load/Empty-Load) | 1.4m/s, 1.8m/s (3.13mph, 4.03mph) | Backward Turning Speed (Full-Load/Empty-Load) | 0.3m/s, 0.6m/s (0.67mph, 1.34mph) |
| Straight Backward Speed (Full-Load/Empty-Load) | 0.6m/s, 0.6m/s (1.34mph, 1.34mph) | Lifting Up Speed (Full-Load/Empty-Load) | 22mm/s, 25mm/s (0.05mph, 0.06mph) |
| Forward Turning Speed (Full-Load/Empty-Load) | 0.3m/s, 0.6m/s (0.67mph, 1.34mph) | Lifting Down Speed (Full-Load/Empty-Load) | 72mm/s, 35mm/s (0.16mph, 0.08mph) |

ENVIRONMENTAL REQUIREMENT

| | | | |
|--|------------------|--|---|
| Min. Stacking Aisle Width (Pallet Size L*W:1200*800mm, Across Forks On Width) | 2100mm (82.68in) | Ground Flatness | ±5mm/m ² (±0.20in/m ²) |
| Min. Turning Aisle Width (Pallet Size L*W:1200*800mm, Across Forks On Width) | 2000mm (78.74in) | Max. Climbing Ability (Full-Load/Empty-load) | 5%, 5% (3°, 3°) |
| Working Temperature | -5°C~45°C | Max. Groove Width | 30mm (1.18in) |
| Working Humidity | 20%~95% | Max. Step Height | 10mm (0.39in) |

SAFETY PROTECTION

| | | | |
|-------|--|-------|---|
| Front | Laser Scanner Stereo Protection | Side | Laser Scanner Stereo Protection +Safety contact strip (Customizable 2D Scanning Laser Protection) |
| Rear | Laser Scanner Stereo Protection +Non-Contact Sensor | Other | Emergency Stop Button + Acousto-Optic Alarm |
| Top | Laser Scanner Stereo Protection | | |

* Customizable fork length, fork outer width, battery heating, barcode scanner, driving recorder, RFID reader, etc.

Due to iterative upgrades on products, some of the specifications being listed above and the appearance of the products may not be able to change in time. For details, please contact our salespersons.