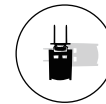




4000kg
Rated Load Capacity



1681mm
Min. Turning Radius



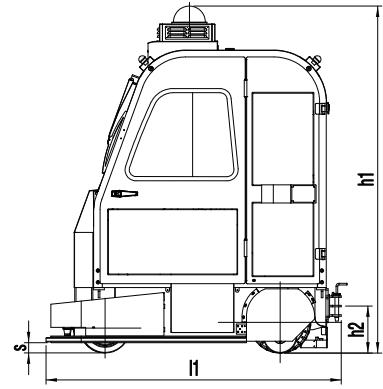
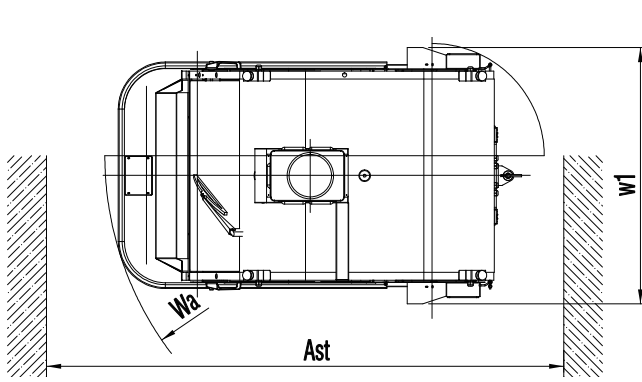
3D SLAM
Positioning Method

VNQ40(VL)-07 Autonomous Tow Tractor

Autonomous tractor is based on 3D SLAM navigation, It's maintenance is convenient. High parking Accuracy with high efficiency. 3D laser is capable of detecting high-level obstacles for safer transportation. IPX4 waterproof grade.



VNQ40(VL)-07



TECHNICAL SPECIFICATIONS

Body Weight	1800kg (3968.32lb)
Rated Load Capacity	4000kg (8818.49lb)
Center Height of Traction Pin	210/275/340/405mm (8.27/10.83/13.39/15.94in)
Positioning Method	3D SLAM
Position Accuracy	$\pm 10\text{mm}/\pm 0.5^\circ$ ($\pm 0.39\text{in}/\pm 0.5^\circ$)
Min. Turning Radius	1681mm (66.81in)

Vehicle Dimensions (l1/b1/h1)	2001x1318x2390mm (78.78x51.89x94.09in)
Type of Operation	Automatic / Manual Seated
Battery Type	Lithium iron phosphate
Voltage/Battery Capacity	24V/270Ah
Charging Mode	Manual/ Automatic Charging

MOTION PERFORMANCE

Max. Straight Forward Speed (Full-Load/Empty-Load)	2.0m/s, 2.0m/s (2.90mph, 2.90mph)
---	-----------------------------------

Max. Forward Turning Speed (Full-Load/Empty-Load)	0.3m/s, 0.6m/s (0.67mph, 1.34mph)
--	-----------------------------------

ENVIRONMENTAL REQUIREMENT

Working Temperature	-5°C ~ 40°C
Working Humidity	20% ~ 95%
Ground Flatness	$\pm 5\text{mm}/\text{m}^2$ ($\pm 0.20\text{in}/\text{m}^2$)

Max. Climbing Capability (Full-Load/Empty-Load)	5%, 24% (2.8°, 13°)
Max. Groove Width	30mm (1.18in)
Max. Step Height	20mm (0.79in)

SAFETY PROTECTION

Front	Laser Scanner Protection + Anti-Collision Bumper
Top	Ultrasound Scanner/Laser Scanner Protection

Side	Laser Scanner Protection+ Ultrasound Scanner+ Anti-Collision Bumper
Other	Emergency Stop Button + Acousto-Optic Alarm

* Optional accessory: UWB ranging alarm system, magnetic markers guidance, hooking and unhooking module, battery heating package, RFID card reader, dashcam, etc.
Due to improvements, the specifications and parameters may be changed without notice. Please consult the sales staff for details.