



**3306.93lb**

Rated Load Capacity



**3.36mph**

Max. Safety Driving Speed



**118.11in**

Fork Lifting Height



**124.02in**

Min. Stacking Aisle Width

# VNP15(VL)-07

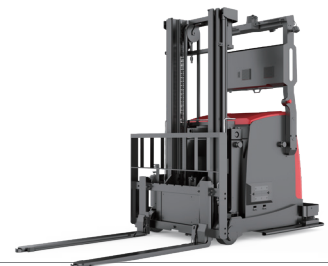
## COUNTERBALANCE STACKER AGV

CE

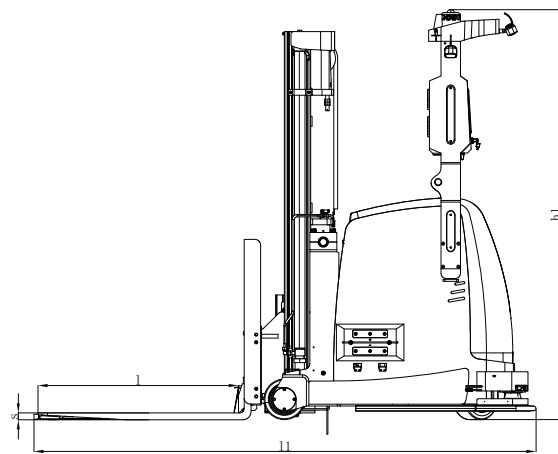
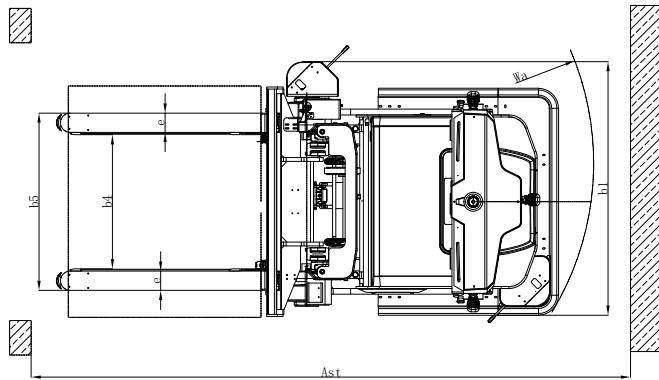


**B56.5**

Taking advantages of 3D SLAM navigation and 3D laser perception module, the project implementation period is shortened and the AGV has high reliability; The AGV has 360-degree safety protection with customizable forks and other tools based on different scenarios, which provides high level safety, great flexibility, and strong adaptability.



# VNP15(VL)-07



## TECHNICAL SPECIFICATIONS

Body Weight	6393.41lb (2900kg)	Fork Lifting Height	118.11in (3000mm)
Vehicle Dimensions (l1/b1/h1)	100.12x52.91x82.09in (2543x1344x2085mm)	Rated Load Capacity	3306.93lb (1500kg)
Fork Dimensions (l/e/s)	40.94x3.94x1.57in (1040x100x40mm)	Load Center Distance	19.69in (500mm)
Optional Fork Dimensions Series	35.04/46.85/52.76/58.66/64.57/70.47in (890/1190/1340/1490/1640/1790mm)	Min. Turning Radius	58.66in (1490mm)
Fork Outer Width	22.05/26.77in (560/680mm)	Locating Precision	±0.39in/±0.5° (±10mm/±0.5°)
Fork Inner Width	13.23/17.95in (336/456mm)	Operation Mode	Automatic / Manual Handheld
Positioning Method	3D SLAM navigation	Battery Type	Lithium iron phosphate
Perception Method	3D Laser scanner	Voltage/Battery Capacity	24V/270Ah
Goods Pick-up Self-adaptability	±3.94in/±10° (±100mm/±10°)	Charging Mode	Manual/ Automatic Charging

## MOTION PERFORMANCE

Straight Forward Speed (Full-Load/Empty-Load)	2.91mph , 3.36mph (1.3m/s, 1.5m/s)	Backward Turning Speed (Full-Load/Empty-Load)	0.67mph , 1.34mph (0.3m/s, 0.6m/s)
Straight Backward Speed (Full-Load/Empty-Load)	1.34mph , 1.34mph (0.6m/s, 0.6m/s)	Lifting Up Speed (Full-Load/Empty-Load)	0.22mph , 0.34mph (100mm/s, 150mm/s)
Forward Turning Speed (Full-Load/Empty-Load)	0.67mph , 1.34mph (0.3m/s, 0.6m/s)	Lifting Down Speed (Full-Load/Empty-Load)	0.40mph , 0.22mph (180mm/s, 100mm/s)

## ENVIRONMENTAL REQUIREMENT

Min. Stacking Aisle Width (Pallet Size L*W:1219*1016mm, Across Forks On Length)	124.02in (3150mm)	Ground Flatness	±0.20in/m <sup>2</sup> (±5mm/m <sup>2</sup> )
Min. Turning Aisle Width (Pallet Size L*W:1219*1016mm, Across Forks On Length)	84.72in (2152mm)	Max. Climbing Capability (Full-Load/Empty-Load)	5%, 5% (3°, 3°)
Working Temperature	-5°C~40°C	Max. Groove Width	1.18in (30mm)
Working Humidity	20%~95%	Max. Step Height	0.39in (10mm)

## SAFETY PROTECTION

Front	Laser Scanner Protection + Anti-Collision Bumper	Side	Laser Scanner Protection + Anti-Collision Bumper
Rear	Laser Scanner Protection + Contact Sensor	Other	Emergency Stop Button + Acousto-Optic Alarm
Top	Photoelectric Sensor + Ultrasound Scanner		

\* Customizable fork length, fork outer width, and supporting legs outer width; With duplex mast option, the lifting height can reach 118.11in, 137.80in, 157.48in, and 177.17in. With triplex mast option, the lifting height can reach 177.17in (body weight varies slightly with different mast selections); Available fork type options: Side shifter and adjustable forks; Other available options: 5G communication, battery heating, battery trolley for battery swap, loads over height detection, UWB safety system, barcode scanner, dash camera, RFID reader, etc.

Maximum load capacity varies with lifting height, please refer to load capacity curve.

All the above parameters are obtained from the factory testing environment of standard products, and the vehicle parameters and performance of the project may vary according to actual conditions.

Due to iterative upgrades on products, some of the specifications being listed above and the appearance of the products may not be able to change in time. For details, please contact our salespersons.