



8818.49lb

Rated Load Capacity



4.92mph

Max. Safety Driving Speed



118.11in

Fork Lifting Height



165.35in

Min. Stacking Aisle Width

VNE40(VL)-07

COUNTERBALANCE STACKER AGV

CE

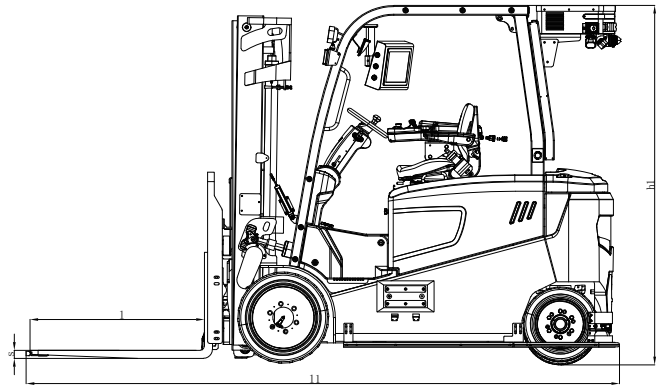
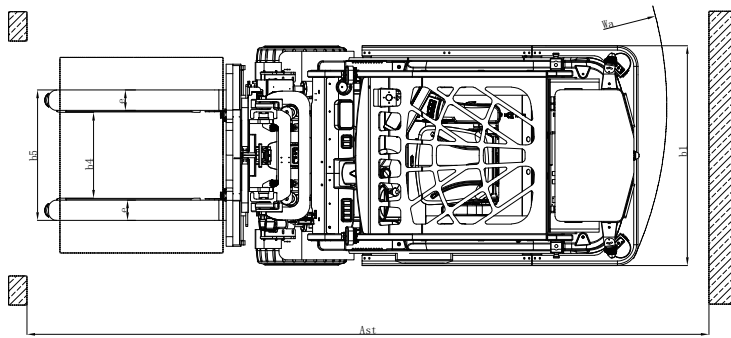


B56.5

Counterbalanced forklift AGV is based on 3D SLAM navigation+3D laser adaptive sensing, which can make the project import fast and the forking repeatability high;The vehicle is capable to drive faster and overcome steeper routes. Narrow body design, supporting fork length, outer width and outrigger customization according to the scene, with great flexibility and stronger adaptability.



VNE40(VL)-07



TECHNICAL SPECIFICATIONS

Body Weight	13668.66lb (6200kg)	Fork Lifting Height	118.11in (3000mm)
Vehicle Dimensions (l1/b1/h1)	142.56x56.30x86.22in (3621x1430x2190mm)	Rated Load Capacity	8818.49lb (4000kg)
Fork Dimensions (l/e/s)	40.94x3.94x1.97in (1040x125x50mm)	Load Center Distance	19.69in (500mm)
Optional Fork Dimensions Series	35.04/46.85/52.76/58.66/64.57/70.47in (890/1190/1340/1490/1640/1790mm)	Min. Turning Radius	88.19in (2240mm)
Fork Outer Width	17.72/41.34in (450/1050mm)	Stacking Accuracy	±0.39in/±0.5° (±15mm/±0.5°)
Fork Inner Width	6.89/30.51in (175/775mm)	Operation Mode	Automatic / Manual Seated
Positioning Method	3D SLAM navigation	Battery Type	Lithium iron phosphate
Perception Method	3D Laser scanner	Voltage/Battery Capacity	83.2V/500Ah
Goods Pick-up Self-adaptability	±3.94in/±10° (±100mm/±10°)	Charging Mode	Manual/ Automatic Charging

MOTION PERFORMANCE

Straight Forward Speed (Full-Load/Empty-Load)	4.25mph , 4.92mph (1.9m/s, 2.2m/s)	Backward Turning Speed (Full-Load/Empty-Load)	0.67mph , 1.34mph (0.3m/s, 0.6m/s)
Straight Backward Speed (Full-Load/Empty-Load)	1.34mph , 1.34mph (0.6m/s, 0.6m/s)	Lifting Up Speed (Full-Load/Empty-Load)	0.58mph , 0.78mph (260mm/s, 350mm/s)
Forward Turning Speed (Full-Load/Empty-Load)	2.24mph , 2.24mph (1.0m/s, 1.0m/s)	Lifting Down Speed (Full-Load/Empty-Load)	0.67mph , 0.67mph (300mm/s, 300mm/s)

ENVIRONMENTAL REQUIREMENT

Min. Stacking Aisle Width (Pallet Size L*W:1219*1016mm, Across Forks On Length)	165.35in (4200mm)	Ground Flatness	±0.39in/m ² (±10mm/m ²)
Min. Turning Aisle Width (Pallet Size L*W:1219*1016mm, Across Forks On Length)	103.15in (2620mm)	Max. Climbing Capability (Full-Load/Empty-Load)	12%, 15% (6.8°, 8.5°)
Working Temperature	-5°C ~ 40°C	Max. Groove Width	1.97in (50mm)
Working Humidity	20% ~ 95%	Max. Step Height	1.18in (30mm)

SAFETY PROTECTION

Front	Laser Scanner Protection + Anti-Collision Bumper	Side	Laser Scanner Protection + Anti-Collision Bumper
Rear	Laser Scanner Protection + Contact Sensor	Other	Emergency Stop Button + Acousto-Optic Alarm
Top	3D Laser Scanner Protection		

* Side shifter is standard configuration; Optional fork length, fork outside width; Optional duplex mast lifting height 3000mm, 3500mm, 4000mm, 4500mm, triplex mast lifting height 4500mm (body weight with the height of the door slightly different); Optional, pitch fork, 5G communication, battery heating, battery trolley, cargo ultra high detection, UWB warning system, scan gun, traffic recorder, RFID card reader, etc.

Maximum load capacity varies with lifting height, please refer to load capacity curve.

All the above parameters are obtained from the factory testing environment of standard products, and the vehicle parameters and performance of the project may vary according to actual conditions. Due to products upgrade, the specifications and parameters may be changed without notice. Please consult the sales for details.